

Barbour ABI
Hinderton Point
Lloyd Drive
Cheshire Oaks
Cheshire
CH65 9HQ

October 2009

Barbour ABI Raw Data Options and Formats

Barbour ABI is the only company providing 100% coverage of planned UK construction projects and the companies involved with these.

Customers may purchase our project and company sales leads and have them delivered through our easy to use Evolution web service and CRM solution, via a weekly email in a raw data or printable format, download Trackbase files or even have them delivered on paper or labels if this is a requirement.

Each of the raw file formats is suitable for importing into a range of commercial CRM systems such as Siebel and SiebelOnDemand, Salesforce.com, Project Salesachiever, ACT!, Goldmine, Microsoft Dynamics/CRM and many other databases or other more specialised contact and sales management systems.

The wide range of raw data formats available for detailed Large Project information and Small Project planning application data are mainly comma-separated (.csv) files that may be opened and manipulated in Microsoft Excel or more advanced database packages.

The following pages contain a description of our most popular formats, with field layouts and a relationship diagram where a delivery contains multiple files. Up to date lookup codes required may be requested via Account Managers.

For further information on any of the above, please contact us using the details below:

New Sales	0151 353 3600
Client Management	0151 353 3500
General Enquiries	0151 353 3500
Fax	0151 353 3501
Email	info@barbour-abi.com
Web	www.barbour-abi.com

Client Management
Barbour ABI

Flat file 1 (Media 40)

This format is ideal for importing into systems that are unable to accept data split over multiple files. Such packages include Goldmine, ACT and Maximizer, Microsoft Access and other database systems. This format is ideal for importing in Salesforce.com as Leads.

The information included in the file is a sub-set of full list of fields that is available. This ensures the size of the file is manageable. The project information is duplicated for each company working on a project (i.e. three companies working on one project would create three lines in the data file).

The file is a comma-separated format; strings are enclosed in double quotes. Records are separated by new-line. All date-types have the format 'DD/MM/YYYY'. The first row contains the field names.

Name	Type	Length	Description
Cyno	Number	9	Company ID [uniquely identifies a company for its lifetime]
Role	String	20	Role company is playing on a project
Design	String	10	Designation/salutation for contact person
Title	String	24	Title for contact person
Fname	String	20	First name for contact person
Lname	String	40	Family name for contact person
Pnphone	String	32	Telephone number for contact person
Email	String	60	Email address for contact person
Cyname	String	40	Company name
Cyname2	String	40	Company name [extended]
Cyaddr1	String	40	Company address
Cyaddr2	String	40	Company address
Cyaddr3	String	40	Company address
Cyaddr4	String	40	Company address
Cypcode	String	8	Company postal code
Cyphone	String	32	Company phone number
Cyfax	String	32	Company fax number
Cyurl	String	60	Company URL
Ptno	Number	9	Project ID [stays with the project throughout its lifetime]
Reportdate	String	8	Report date [system date when the file is generated] [YYYYMMDD]
Pttitle	String	80	Project title
Ptsite1	String	40	Project site address
Ptsite2	String	40	Project site address
Ptsite3	String	40	Project site address
Ptsite4	String	40	Project site address
Ptpcode	String	8	Postal code of project site
Value	String	16	Project valuation
Stage	String	20	Stage of project
Devtype	String	20	Development type
Tenderclose	String	10	Tender closing date
Contracttype	String	60	Contract type
Startdate	String	30	Contract start date
Finish	String	30	Construction completion date
Period	Number	4	Length of works [months]

Flat File 2 (Media 43)

This format that is generally used for importing into systems that are unable to accept data split over multiple files. Such packages include Goldmine, Act and Maximizer, Microsoft Access and other database systems. If importing Leads into Salesforce.com, the Flat File (Media 40) is recommended.

The file is a comma-separated format; strings are enclosed in double quotes. Records are separated by new-line. All date-types have the format 'DD/MM/YYYY'. The first row contains the field names. Indented fields are repeated for each role/company.

Name	Type	Length	Description
Ptno	Number	9	Project ID [stays with the project throughout its lifetime]
Reportdate	Date		Report date. Equal to system date at time of generation.
Last_report	Date		Date previously reported [null, if new]
Pttitle	String	60	Project title
Ptsite1	String	60	Project site address
Ptsite2	String	60	Project site address
Ptsite3	String	60	Project site address
Ptsite4	String	60	Project site address
Ptpostcode	String	10	Postal code of project site
Value	Number		Project valuation
Stage	String	60	Stage of project
Devtype	String	60	Development type
Gridreference	String	32	Grid reference
Status	String	Long	Status of project
Scheme	String	Long	Description of project
Details	String	Long	Details of project
Program	String	Long	Timing of project
Contract	String	60	Contract type
Role_n	String	70	Role company is playing on a project.
Cyno_n	Number	9	Company ID [uniquely identifies a company]
Design_n	String	30	Designation/salutation for contact person
Title_n	String	60	Title for contact person
Fname_n	String	40	First name for contact person
Lname_n	String	40	Last name for contact person
Pnphone_n	String	32	Telephone number for contact person
Pnemail_n	String	60	Email address for contact person
Repeating (n times)			
Cynname_n	String	182	Company name
Cyaddr1_n	String	60	Company address
Cyaddr2_n	String	60	Company address
Cyaddr3_n	String	60	Company address
Cyaddr4_n	String	60	Company address
Cypcode_n	String	10	Company postal code
Cyphone_n	String	32	Company phone number
Cyfax_n	String	32	Company fax number
Cyurl_n	String	60	Company URL

By default, the Roles may appear in any order. If you receive a weekly scheduled email with you data and wish to ensure some roles (e.g. client, architect and contractor) consistently fall in the same columns, please inform Barbour ABI when selecting this format. These roles will always appear first and null if not available. The remaining unspecified roles will follow in any order.

Microsoft Excel is limited to 256 columns, so you will be warned "File not loaded properly" when trying to import projects containing more than 14 roles. The data will still import, but the fields beyond number 256 will be missing. This can be a problem if importing into Salesforce.com using Excel.

Flat File 3 (Media 80)

This extension of Flat File 2 is ideal for importing into systems that are unable to accept data split over multiple files. Such packages include Goldmine, Act and Maximizer, Microsoft Access and other database systems. If importing Leads into Salesforce.com, Flat File 1 (Media 40) is recommended.

The file is a comma-separated format; strings are enclosed in double quotes. Records are separated by new-line. All date-types have the format 'DD/MM/YYYY'. The first row contains the field names. Indented fields are repeated for each role and company combination reported.

Name	Type	Length	Description
Ptno	Number	9	Project ID [stays with the project throughout its lifetime]
ReportDate	Date		Report date. Equal to system date at time of generation.
LastReport	Date		Date previously reported [null, if new]
Title	String	60	Project title
Site1	String	60	Project site address
Site2	String	60	Project site address
Site3	String	60	Project site address
Site4	String	60	Project site address
Pcode	String	10	Postal code of project site
Value	Number		Project valuation
Stage	String	60	Stage of project
Devtype	String	60	Development type
Gridref	String	32	Grid reference
Status	String	Long	Status of project
Scheme	String	Long	Description of project
Details	String	Long	Details of project
Program	String	Long	Timing of project
Contract	String	60	Contract type [text]
Geocode	String	10	Geographical code for project site
Plan_date	String	8	Planning application date [YYYYMMDD]
Value_prec	Number	4	Value precision
Start_date	String	8	Construction start date [YYYYMMDD]
Start_date_prec	Number	4	Start date precision
Completion_date	String	8	Construction completion date [YYYYMMDD]
Completion_date_prec	Number	4	Finish date precision
Duration	Number	4	Duration in month
Tender_close	String	8	Tender close date [YYYYMMDD]
Tender_close_prec	Number	4	Tender close date precision
Stories	Number	4	Number of stories
Units	Number	4	Number of units
Floor_area	Number	6	Total floor area [sq. meters]
Site_area	Number	6	Site floor area [hectares]
Structures	Number	4	Number of structures
Contract_type	Number	4	Contract type [Lookup: CONTRACT]
cat1			Category code 1 [Lookup: CAT]
cat2			Category code 2 [if available]
cat3			Category code 3 [if available]
cat4			Category code 4 [if available]
cat5			Category code 5 [if available]
cat6			Category code 6 [if available]
cat7			Category code 7 [if available]
cat8			Category code 8 [if available]
cat9			Category code 9 [if available]
cat10			Category code 10 [if available]
planning_ref	String	41	External reference, e.g. county planning application number
Repeated Role_n	String	70	Role company is playing on a project.

(n times)	Cyno_n	Number	9	Company ID [uniquely identifies a company]
	Design_n	String	30	Designation/salutation for contact person
	Title_n	String	60	Title for contact person
	Fname_n	String	40	First name for contact person
	Lname_n	String	40	Last name for contact person
	Pnphone_n	String	32	Telephone number for contact person
	Pnemail_n	String	60	Email address for contact person
	Cyname_n	String	182	Company name
	Cyaddr1_n	String	60	Company address
	Cyaddr2_n	String	60	Company address
	Cyaddr3_n	String	60	Company address
	Cyaddr4_n	String	60	Company address
	Cyrcode_n	String	10	Company postal code
	Cyphone_n	String	32	Company phone number
	Cyfax_n	String	32	Company fax number
	Cyurl_n	String	60	Company URL

By default, the Roles may appear in any order. If you receive a weekly scheduled email with you data and wish to ensure some roles (e.g. client, architect and contractor) consistently fall in the same columns, please inform Barbour ABI when selecting this format. These roles will always appear first and null if not available. The remaining unspecified roles will follow in any order.

Microsoft Excel is limited to 256 columns, so you will be warned “File not loaded properly” when trying to import projects containing more than 14 roles. The data will still import, but the fields beyond number 256 will be missing. This can be a problem if importing into Salesforce.com using Excel.

Normalised ASCII (Media 59) – see Media 69 for an enhanced version

This is a normalised form of the project information, which closely matches the internal structure of Barbour ABI's Trackbase format. Note that some fields are reserved for future use.

All files are in comma-separated format, strings are enclosed in double quotes. Records are separated by new-line. All date-types have the format 'YYYYMMDD'.

The .pt file contains the project information as follows.

Name	Type	Length	Description
Ptno	Number	9	Project ID [stays with the project throughout its lifetime]
Extref	String	41	External reference, e.g. county planning application number
Date	String	8	Report date [equal to system date when the file is generated]
Title	String	80	Project title
Value	String	12	Project valuation
Site1	String	80	Project site address 1
Site2	String	80	Project site address 2
Site3	String	80	Project site address 3
Site4	String	80	Project site address 4
Pcode	String	10	Project postal code
Country	String	60	Country of project
Geocode	String	10	Geographical code for project site
Geo2	String	10	Secondary geographical coding for site
Area	String	12	Total floor area in square meters
Close	String	8	Tender closing date
Cstart	String	8	Project start date
Units	Number	4	Number of units
Storeys	Number	4	Number of storeys
Ptstatus	Number	4	Project status coding
Ptdesc	Memo	-	Description of project
Reportdate	String	8	Reserved for future use
Cntrct	Number	4	Contract type [Lookup: CONTRACT]
Usage	Number	4	Usage type
Cstart2	String	8	Reserved for future use
Strt_p	Number	4	Start date precision
Finish	String	8	Construction completion date
Finish_p	Number	4	Finish date precision
Period	Number	4	Construction duration in months
Volume	Number	4	Volume of project [for reservoirs etc.]
Ssiz	Number	4	Site area
Ground	Number	4	Ground floor area
Value2	String	12	Project valuation [high boundary]
Crncy	Number	4	Value currency
Valsts	Number	4	Value accuracy
Structs	Number	4	Number of structures
Below	Number	4	Number of storeys below ground level
Parking	Number	4	Number of parking spaces
Rptr	Number	4	Reserved for future use
Agent	Number	4	Reserved for future use
Srce	Number	4	Reserved for future use
DI	String	1	Reserved for future use
Block	String	1	Reserved for future use
Clang	String	10	Reserved for future use
Svstage	Number	4	Reserved for future use
Svcat	Number	4	Reserved for future use
Svclose	String	8	Reserved for future use

Pttype	Number	4	Reserved for future use
Country2	String	60	Reserved for future use
Gridreference	String	32	Grid reference
Linear	Number	4	Reserved for future use
Closetm	String	8	Reserved for future use
Close_p	Number	4	Reserved for future use
Intref	String	41	Reserved for future use
Movedate	String	8	Date of move [Business Moves only]
Movedate_p	Number	4	Move date precision [Business Moves only]
Movetype	String	4	Move type coding
Dummy0	String	50	Reserved for future use
Dummy1	String	8	Reserved for future use
Dummy2	Number	20	Reserved for future use

The .cy file contains the company information as follows.

Name	Type	Length	Description
Cyno	Number	9	Company ID
Cyname	String	100	Company name
Addr1	String	60	Address line 1
Addr2	String	60	Address line 2
Addr3	String	60	Address line 3
Addr4	String	60	Address line 4
Pcode	String	10	Postal code
Country	String	60	Country
Phone	String	32	Phone number
Fax	String	32	Fax number
Geocode	String	10	Geographical code
Geo2	String	10	Secondary geographical coding
Status	Number	4	Type of company
Ud	String	8	Date company updated
Subsid_of	Number	9	Parent company ID
Suserid	Number	2	Reserved for future use
Reportdate	String	8	Reserved for future use
Email	String	60	Company email address
Telex	String	32	Telex number
Empl	Number	4	Number of employees code
Turn	Number	4	Turnover code
Status	Number	4	Company status
Lang	Number	4	Language
Estd	String	8	Date company established
Mail	Number	4	Reserved for future use
Rptr	Number	4	Reserved for future use
Srce	Number	4	Reserved for future use
Cytype	Number	4	Reserved for future use
Mnemo	String	1	Reserved for future use
DI	String	1	Reserved for future use
Country2	String	60	Reserved for future use
Scrp0	String	80	Reserved for future use
Scrp1	String	80	Reserved for future use
Url	String	60	Company URL
Dummy1	String	8	Reserved for future use
Dummy2	Number	20	Reserved for future use

The .re file contains the role information as follows.

Name	Type	Length	Description
Reno	Number	9	Role ID

Ptno	Number	9	Project ID
Cyno	Number	9	Company ID
Role	Number	9	Role code
Nocy	Number	4	Care of code [indicates when the role is under the care of another company]
Ud	String	8	Date row updated
Deldate	String	8	Reserved for future use
Rd	String	8	Date row updated
Value	String	17	Value of subcontract
Narrative	String	120	Description of subcontract
Startdate	String	8	Start date of subcontract
Startdate_p	Number	4	Start date precision

The *.pn* file contains the person information as follows.

Name	Type	Length	Description
Pnno	Number	9	Person ID
Cyno	Number	9	Company ID
Lname	String	40	Last name
Fname	String	40	First name
Design	String	30	Designation
Title	String	40	Job title
Phone	String	32	Phone number
Ud	String	8	Date row updated
Pnemail	String	60	Email address
Jobfnc	Number	4	Reserved for future use
DI	String	1	Reserved for future use
Dummy0	String	80	Reserved for future use
Dummy1	String	8	Reserved for future use
Dummy2	Number	20	Reserved for future use

The *.cn* file contains the contact references as follows.

Name	Type	Length	Description
Reno	Number	9	Role ID
Pnno	Number	9	Person ID

The *.cc* file contains the SIC codes as follows.

Name	Type	Length	Description
Cyno	Number	9	Company ID
Class	Number	10	Classification

The *.ps* file contains the project stages as follows.

Name	Type	Length	Description
Ptno	Number	9	Project ID
Stage	Number	4	Project stage code
Day	String	8	Date entered

The *.pd* file contains the development types as follows.

Name	Type	Length	Description
Ptno	Number	9	Project ID
Devtype	Number	4	Development type code

The *.pc* file contains the project categories as follows.

Name	Type	Length	Description
Ptno	Number	9	Project ID
Cat	Number	4	Category code
Dummy	String	10	Reserved for future use
Seqno	Number	4	Sequence number
Catunits	Number	8	Reserved for future use

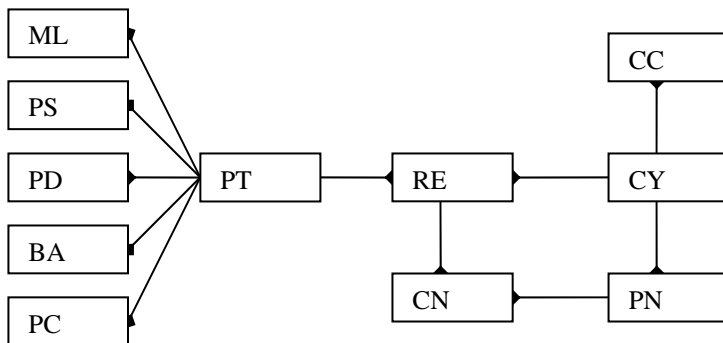
The *.ba* file contains the project activities as follows.

Name	Type	Length	Description
Ptno	Number	9	Project ID
Class	Number	4	Activity code

The *.ml* file contains the project materials as follows.

Name	Type	Length	Description
Ptno	Number	9	Project ID
Material	String	10	Material code
Dummy	String	10	Reserved for future use
Matrtxt	String	60	Reserved for future use
Quantity	Number	8	Reserved for future use
Unit	String	10	Reserved for future use

The entity-relationships are as follows.



Normalised ASCII plus (Media 69)

This is an enhancement of the normalised Media 59 format. It is compatible with Project SalesAchiever v3.3 and above.

All files are in comma-separated format, strings are enclosed in double quotes. Records are separated by new-line. All date-types have the format 'YYYYMMDD'.

The .pt file contains the project information as follows.

Name	Type	Length	Description
Ptno	Number	9	Project ID [stays with the project throughout its lifetime]
Firstreported	Date	8	The first date Barbour ABI reported this project
Lastreported	Date	8	The latest date Barbour ABI reported on this project
Rd	Date	8	Date the project was entered
Ud	Date	8	Date of last update
Appdate	Date	8	Date of planning application
Extref	String	41	External reference, e.g. planning application reference number.
Title	String	80	Project title
Site1	String	80	Project site address 1
Site2	String	80	Project site address 2
Site3	String	80	Project site address 3
Site4	String	80	Project site address 4
Pcode	String	10	Project postal code
Country	String	60	Country of project
Geocode	String	10	Geographical code for project site [Lookup: GEOCODE]
Geo2	String	10	Secondary geographical coding for site [Lookup: GEO2]
Gridreference	String	32	Grid reference
Easting	String	10	Easting of grid reference [additional charges apply for this]
Northing	String	10	Northing of grid reference [additional charges apply for this]
Confidence	String	10	Confidence of grid reference [additional charges apply for this]
Area	Number	6	Total floor area [sq. meters]
Area_txt	String	32	Floor area text
Units	Number	6	Number of units
Units_txt	String	32	Units text
Storeys	Number	4	Number of storeys
Storeys_txt	String	32	Storeys text
Below	Number	4	Number of storeys below ground level
Below_txt	String	32	Below ground level storeys text
Volume	Number	12	Volume of project [for reservoirs etc.]
Volume_txt	String	32	Volume text
Ssiz	Number	12	Site area
Ssiz_txt	String	32	Size area text
Ground	Number	12	Ground floor area
Ground_txt	String	32	Ground floor area text
Structs	Number	6	Number of structures
Structs_txt	String	32	Structures text
Parking	Number	6	Number of parking spaces
Parking_txt	String	32	Parking for display purposes
Linear	Number	12	Length of project [e.g. roads]
Linear_txt	String	32	Linear for display purposes
Crncy	String	4	Value currency
Value	Number	12	Project construction value
Value_txt	String	12	Value text
Value2	Number	12	Project valuation [high boundary]
Value2_txt	String	12	Value2 for display purposes
Valsts	Number	2	Value accuracy [Lookup: VALSTS]

Startdate	Date	8	Expected construction start date
Startdate_p	Number	2	Accuracy of start date [Lookup: DPREC]
Startdate_txt	String	32	Start date text
Finishdate	Date	8	Expected construction completion date
Finishdate_p	Number	2	Accuracy of completion date [Lookup: DPREC]
Finishdate_txt	String	32	Expected construction completion date text
Closedate	Date	8	Tender closing date
Closedate_p	Number	2	Accuracy of closing date [Lookup: DPREC]
Closedate_txt	String	32	Tender closing date text
Period	Number	4	Length of works [months]
Ptstatus	Number	4	Project status
Ptgroup	Number	4	Grouping of major projects [Lookup: PTGROUP]
Cntrct	Number	4	Contract type [Lookup: CNTRCT]
Usage	Number	4	Usage type [Lookup: USAGE]
Status	Memo		Status of project
Scheme	Memo		Project scheme
Materials	Memo		Materials involved in project
Activity	Memo		Activities
Stages	String	100	Project stage text
Categories	String	500	Categories text
Devtypes	String	100	Development types text

The .cy file contains the company information as follows.

Name	Type	Length	Description
Cyno	Number	9	Company ID
Cyname	String	100	Company name
Addr1	String	60	Address line 1
Addr2	String	60	Address line 2
Addr3	String	60	Address line 3
Addr4	String	60	Address line 4
Pcode	String	10	Postal code
Country	String	60	Country
Geocode	String	10	Geographical code [Lookup: GEOCODE]
Geo2	String	10	Secondary geographical coding [Lookup: GEO2]
Rd	String	8	Date company entered
Ud	String	8	Date company updated
Subsid_of	Number	9	Parent company ID
Phone	String	32	Phone number
Fax	String	32	Fax number
Email	String	60	Company email address
Telex	String	32	Telex number
Url	String	60	Company URL
Empl	Number	4	Number of employees code [Lookup: EMPL]
Turn	Number	4	Turnover code [Lookup: TURN]
Status	Number	4	Company status
Lang	Number	4	Language
Estd	String	8	Date company established

The .re file contains the role information as follows.

Name	Type	Length	Description
Reno	Number	9	Role ID
Ptno	Number	9	Project ID
Cyno	Number	9	Company ID
Role	Number	9	Role code [Lookup: ROLE]
Nocy	Number	4	Care of code [if role is care of another company]
Rd	String	8	Date role created

Ud	String	8	Date role updated
Value	String	17	Value of subcontract
Narrative	String	120	Description of subcontract
Startdate	String	8	Start date of subcontract
Startdate_p	Number	4	Accuracy of start date [Lookup: DPREC]
Startdate_txt	String	32	Expected start date text

The *.pn* file contains the person information as follows.

Name	Type	Length	Description
Pnno	Number	9	Person ID
Cyno	Number	9	Company ID
Design	String	30	Designation [e.g Mr/Mrs]
Fname	String	40	First name
Lname	String	40	Last name
Title	String	40	Job title
Phone	String	32	Phone number
Mobile	String	32	Mobile number
Email	String	60	Email address
Rd	String	8	Date row created
Ud	String	8	Date row updated

The *.cn* file contains the contact references as follows.

Name	Type	Length	Description
Reno	Number	9	Role ID
Pnno	Number	9	Person ID

The *.cc* file contains the SIC codes as follows.

Name	Type	Length	Description
Cyno	Number	9	Company ID
Class	Number	10	Classification [Lookup: CLASS]

The *.ps* file contains the project stages as follows.

Name	Type	Length	Description
Ptno	Number	9	Project ID
Stage	Number	4	Stage of the project [Lookup: STAGE]
Day	String	8	Date entered

The *.sh* file contains the history of project stages. This is as follows.

Name	Type	Length	Description
Ptno	Number	9	Project ID
Stage	Number	4	Stage of the project [Lookup: STAGE]
Day	String	8	Date project entered this stage

The *.pd* file contains the development types as follows.

Name	Type	Length	Description
Ptno	Number	9	Project ID
Devtype	Number	4	Type of development [Lookup: DEVTYPE]

The *.pc* file contains the project categories as follows.

Name	Type	Length	Description
------	------	--------	-------------

Ptno	Number	9	Project ID
Cat	Number	4	Category code [Lookup: CAT]
Seqno	Number	4	Sequence number
Catunits	Number	8	Units for categories

The *.ba* file contains the project activities as follows.

Name	Type	Length	Description
Ptno	Number	9	Project ID
Class	Number	4	Activity code [Lookup: CLASS]

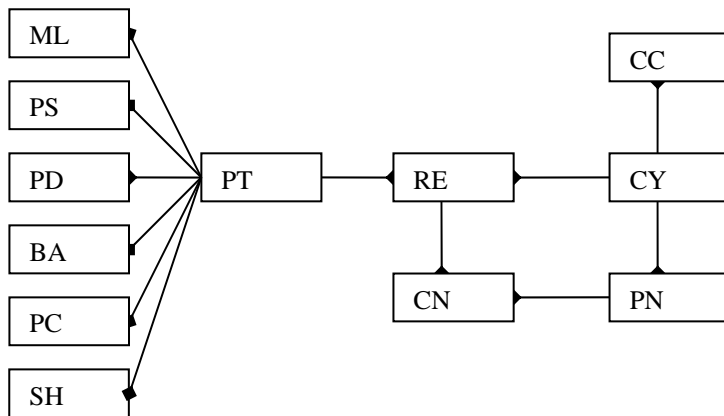
The *.ml* file contains the project materials as follows.

Name	Type	Length	Description
Ptno	Number	9	Project ID
Material	String	10	Material code [Lookup: MATERIAL]
Matrtxt	String	60	Reserved for future use
Quantity	Number	8	Reserved for future use
Unit	String	10	Reserved for future use

The *.cs* file contains the coded values that appear in this data set. All values are supplied for each domain, even if you do not subscribe to all. The table is as follows.

Name	Type	Length	Description
Domain	String	32	Domain / Lookup
Code	String	10	Code
Parent	String	10	Parent of code, if applicable
Text	String	60	Label associated with code

The file relationships are as follows:



Microsoft Dynamics (Media 109)

This file format was developed to specifically for customers using Microsoft Dynamics/CRM.

The file is a comma-separated format; strings are enclosed in double quotes. Records are separated by new-line. All date-types have the format 'DD/MM/YYYY'. The first row contains the field names. Indented fields are repeated for each role/company.

Name	Type	Length	Description	
Ptno	Number	9	Project ID [stays with the project throughout its lifetime]	
ReportDate	Date		Report date. Equal to system date at time of generation.	
LastReport	Date		Date previously reported [null, if new]	
Title	String	60	Project title	
Site1	String	60	Project site address	
Site2	String	60	Project site address	
Site3	String	60	Project site address	
Site4	String	60	Project site address	
Pcode	String	10	Postal code of project site	
Value	Number		Project valuation	
Stage	String	60	Stage of project	
Devtype	String	60	Development type	
Gridref	String	32	Grid reference	
Status	String	Long	Status of project	
Scheme	String	Long	Description of project	
Details	String	Long	Details of project	
Program	String	Long	Timing of project	
Contract	String	60	Contract type	
Geocode	String	10	Geographical code for project site	
Plan_date	String	8	Planning application date [YYYYMMDD]	
Value_prec	Number	4	Value precision	
Start_date	String	8	Construction start date [YYYYMMDD]	
Start_date_prec	Number	4	Start date precision	
Completion_date	String	8	Construction completion date [YYYYMMDD]	
Completion_date_prec	Number	4	Finish date precision	
Duration	Number	4	Duration in month	
Tender_close	String	8	Tender close date [YYYYMMDD]	
Tender_close_prec	Number	4	Tender close date precision	
Stories	Number	4	Number of stories	
Units	Number	4	Number of units	
Floor_area	Number	6	Total floor area [sq. meters]	
Site_area	Number	6	Site floor area [hectares]	
Structures	Number	4	Number of structures	
Contract_type	Number	4	Contract type [Lookup: CONTRACT]	
cat1	Number	4	Category code 1 [Lookup: CAT]	
cat2	Number	4	Category code 2 [if available]	
cat3	Number	4	Category code 3 [if available]	
cat4	Number	4	Category code 4 [if available]	
cat5	Number	4	Category code 5 [if available]	
cat6	Number	4	Category code 6 [if available]	
cat7	Number	4	Category code 7 [if available]	
cat8	Number	4	Category code 8 [if available]	
cat9	Number	4	Category code 9 [if available]	
cat10	Number	4	Category code 10 [if available]	
planning_ref	String	41	External reference, e.g. county planning application number	
Repeated	Role_n	String	70	Role company is playing on a project.
(n times)	Cyno_n	Number	9	Company ID [uniquely identifies a company]
	Design_n	String	30	Designation/salutation for contact person
	Title_n	String	60	Title for contact person

Fname_n	String	40	First name for contact person
Lname_n	String	40	Last name for contact person
Pnphone_n	String	32	Telephone number for contact person
Pnemail_n	String	60	Email address for contact person
Cyname_n	String	182	Company name
Cyaddr1_n	String	60	Company address
Cyaddr2_n	String	60	Company address
Cyaddr3_n	String	60	Company address
Cyaddr4_n	String	60	Company address
Cyrcode_n	String	10	Company postal code
Cyphone_n	String	32	Company phone number
Cyfax_n	String	32	Company fax number
Cyurl_n	String	60	Company URL

By default, the Roles may appear in any order. If you receive a weekly scheduled email with you data and wish to ensure some roles (e.g. client, architect and contractor) consistently fall in the same columns, please inform Barbour ABI when selecting this format. These roles will always appear first and null if not available. The remaining unspecified roles will follow in any order.

Microsoft Excel is limited to 256 columns, so you will be warned “File not loaded properly” when trying to import projects containing more than 14 roles. The data will still import, but the fields beyond number 256 will be missing.

Small projects (Media 105)

This file contains simple categorised planning application data. The file is a comma-separated format; strings are enclosed in double quotes. Records are separated by new-line. Media 110 is similar but has split contact names for mail merging requirements.

Name	Type	Length	Description
Apno	Number	9	Application ID
Geocode	String	6	Geographical code
Edition	String	10	Application date
Extref	String	32	External reference number
Appdate	String	5	Application listing date
App_contact	String	38	Application contact name
App_name	String	38	Application name
App_addr1	String	38	Application address line 1
App_addr2	String	38	Application address line 2
App_addr3	String	38	Application address line 3
App_addr4	String	38	Application address line 4
App_addr5	String	38	Application address line 5
App_pcode	String	10	Application postal code
App_phone	String	32	Application telephone number
Prop	String	60	Proposal details line 1
Prop2	String	40	Proposal details line 2
At_contact	String	38	Agent contact name
At_name	String	38	Agent name
At_addr1	String	38	Agent address line 1
At_addr2	String	38	Agent address line 2
At_addr3	String	38	Agent address line 3
At_addr4	String	38	Agent address line 4
At_addr5	String	38	Agent address line 5
At_pcode	String	10	Agent postal code
At_phone	String	32	Agent phone number
Site_bldg	String	38	Site – building
Site1	String	38	Site – address line 1
Site2	String	38	Site – address line 2
Site3	String	38	Site – address line 3
Site4	String	38	Site – address line 4
Site_pcode	String	10	Site – postal code
Cat	String	30	Construction categories [separated by commas]
Stage	String	2	Planning stage
Devtype	String	2	Development stage

Small projects (Media 110)

This file contains simple categorised planning application data. The file is a comma-separated format; strings are enclosed in double quotes. Records are separated by new-line. Contact names are split into their components parts in this format which may be more useful for mail merging.

Name	Type	Max Length	Description
Apno	Number	9	Application ID
Geocode	String	6	Geographical code
Edition	String	10	Unused
Extref	String	32	External reference number [usually planning application number]
Appdate	String	5	Application listing date
App_Design	String		Applicant title
App_Fname	String		Applicant first name
App_Lname	String		Applicant last name
App_Name	String	38	Applicant company name
App_Addr1	String	38	Applicant address line 1
App_Addr2	String	38	Applicant address line 2
App_Addr3	String	38	Applicant address line 3
App_Addr4	String	38	Applicant address line 4
App_Addr5	String	38	Applicant address line 5
App_Pcode	String	10	Applicant postal code
App_Phone	String	32	Applicant telephone number
Prop	String	60	Proposal details line 1
Prop2	String	40	Proposal details line 2
At_Design	String		Agent title
At_Fname	String		Agent first name
At_Lname	String		Agent last name
At_Name	String	38	Agent company name
At_Addr1	String	38	Agent address line 1
At_Addr2	String	38	Agent address line 2
At_Addr3	String	38	Agent address line 3
At_Addr4	String	38	Agent address line 4
At_Addr5	String	38	Agent address line 5
At_Pcode	String	10	Agent postal code
At_Phone	String	32	Agent phone number
Site_Bldg	String	38	Site – building
Site1	String	38	Site – address line 1
Site2	String	38	Site – address line 2
Site3	String	38	Site – address line 3
Site4	String	38	Site – address line 4
Site_Pcode	String	10	Site – postal code
Cat	String	30	Construction category codes [separated by commas]
Stage	Number	2	Planning stage code
Devtype	Number	2	Development stage code

Raw data (Media 27) – *this legacy format is superseded by Media 69*

The data supplied is split into 3 files. Data in each file has a relationship to the others.

All files are in comma-separated format, strings are enclosed in double quotes. Records are separated by a new-line. All date-types have the format 'DD/MM/YYYY'.

The first *.dta* file below contains only the basic project information, all detail is found in other files.

Name	Type	Length	Description
Ptno	Number	9	Project ID [stays with the project throughout its lifetime]
Date	String	10	Report date [equal to system date when the file is generated]
Title	String	80	Project title
Site0	String	40	Project site address [this field is currently not in use, reserved for future use]
Site1	String	40	Project site address
Site2	String	40	Project site address
Site3	String	40	Project site address
Site4	String	40	Project site address
Country	String	40	Project site address
Pcode	String	8	Postal code of project site
Phone	String	32	Site telephone number [this field is currently not in use, reserved for future use]
Geocode	String	10	Geographical code for project site
County	String	40	County
Council	String	40	Council
Geo2	String	10	Secondary geographical coding for site
Value	String	16	Project valuation [low boundary]
Value2	String	16	Project valuation [high boundary]
Currency	String	8	Currency of valuation
Area	String	16	Construction area in square metres
Category	String	60	Construction categories [multiple codes are possible, separated by comma]
Stage	Number	2	Stage coding
Stage_txt	String	20	Stage description
Devtype	Number	2	Development type coding
Devtype_txt	String	20	Development type description
Close	String	10	Nearest tender closing date [used when applicable]
Cntrct	Number	2	Contract type
Cstart	String	10	Contract start date
Strt_p	Number	2	Start date precision
Finish	String	10	Contract finish date
Fnsh_p	Number	2	Finish date precision
Period	Number	4	Length of works
Ssiz	String	16	Site area in square metres
Ground	String	16	Plan area in square metres
Structs	Number	4	Number of structures [non-housing]
Units	Number	4	Number of housing units
Storeys	Number	4	Number of storeys [above ground]
Below	Number	4	Number of storeys [below ground]
Parking	Number	4	Car parking spaces
Materials	String	500	Project materials [multiple codes are possible, separated by a comma]
Movedate	String	10	Project move date [Business Moves only]
Movedate_p	Number	2	Move date precision [Business Moves only]
Movetype	Number	4	Move type [Business Moves only]

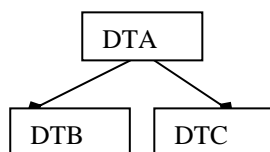
The *.dtb* file contains portions of project textual detail.

Name	Type	Length	Description
Ptno	Number	9	Project ID [refers to ptno in the <i>.dta</i> file]
Type	Number	1	Text type tag [1 for details text, 2 for status text]
Line	Number	3	Line number [each line in the report is numbered to aid proper regeneration]
Text	String	80	Text line of report [although not all 80 positions are used they are reserved for future use]

The *.dtc* contains factor information e.g. owners, architects, contractors and others. Although this is already part of the formatted report in the *.dtb* file, the contents in this file are formatted to allow further processing.

Name	Type	Length	Description
Ptno	Number	9	Project ID [refers to ptno in the <i>.dta</i> file]
Factor	Number	4	Factor coding
Factor_txt	String	20	Factor description
Cyno	Number	9	Company ID [This identity stays constant across multiple use of the same company, allowing de-duplication for mailing purposes]
Sequence	Number	2	Sequence within report file
Design	String	20	Designation/salutation for contact person
Title	String	24	Title for contact person
Fname	String	20	First name for contact person
Lname	String	40	Family name for contact person
Suffix	String	8	Reserved for future use
Name	String	40	Company name
Name2	String	40	Company name [extended]
Addr0	String	40	Company address [currently not in use, reserved for future use]
Addr1	String	40	Company address
Addr2	String	40	Company address
Addr3	String	40	Company address
Addr4	String	40	Company address
Country	String	40	Company address
Pcode	String	8	Postal code
Phone	String	32	Telephone number
Fax	String	32	Fax number
Geocode	String	10	Geographical coding
Geo2	String	10	Secondary geographical coding
Value	String	16	Value of role
Narrative	String	120	Role description
Startdate	String	10	Start date of role
Startdate_p	Number	2	Start date precision of role

The file relationships are as follows:



Small projects (Media 78) – legacy format superseded by Media 105 & 110

This file contains more simple planning application data. The file is a comma-separated format; strings are enclosed in double quotes. Records are separated by new-line.

Name	Type	Length	Description
Apno	Number	9	Application ID
Geocode	String	6	Geographical code
Edition	String	5	Edition and year
Extref	String	32	External reference number
Appdate	String	5	Application listing date
App_contact	String	38	Application contact name
App_name	String	38	Application name
App_addr1	String	38	Application address line 1
App_addr2	String	38	Application address line 2
App_addr3	String	38	Application address line 3
App_addr4	String	38	Application address line 4
App_addr5	String	38	Application address line 5
App_pcode	String	10	Application postal code
App_phone	String	32	Application telephone number
Prop	String	60	Proposal details line 1
Prop2	String	40	Proposal details line 2
At_contact	String	38	Agent contact name
At_name	String	38	Agent name
At_addr1	String	38	Agent address line 1
At_addr2	String	38	Agent address line 2
At_addr3	String	38	Agent address line 3
At_addr4	String	38	Agent address line 4
At_addr5	String	38	Agent address line 5
At_pcode	String	10	Agent postal code
At_phone	String	32	Agent telephone number
Site1	String	78	Location details line 1
Site2	String	40	Location details line 2
Site3	String	40	Location details line 3
Cat	String	30	Construction categories [separated by commas]
Stage	String	2	Planning stage
Devtype	String	2	Development type